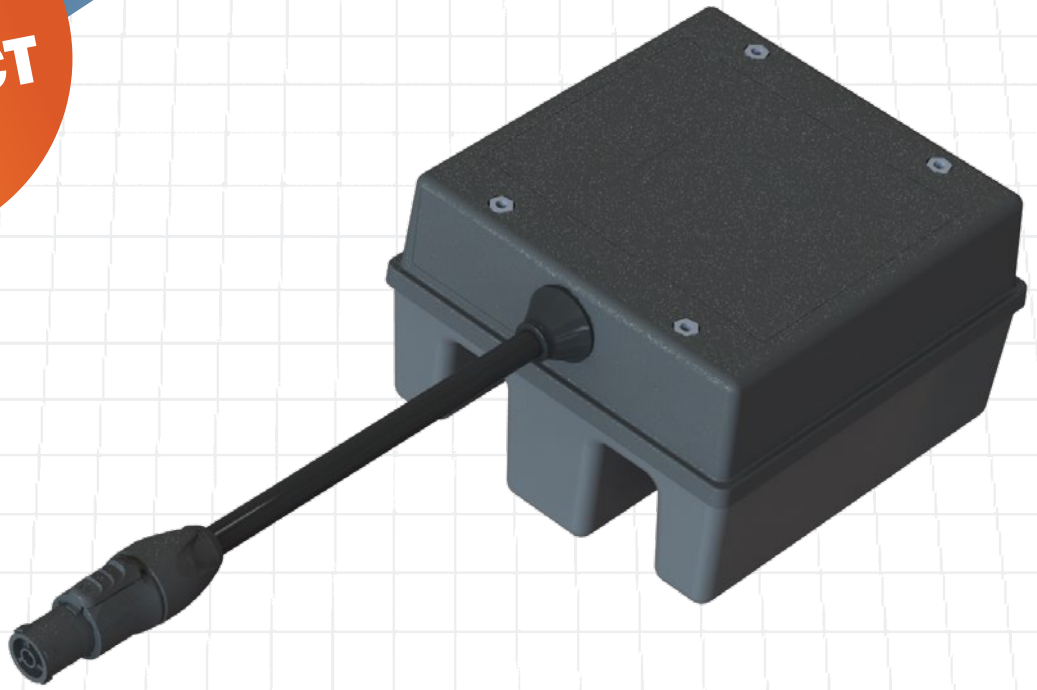


**NEW
PRODUCT**



vPOWER E400 PICKUP

HIGHLIGHTS

- Compact size
- Lightweight: Only 5 kg
- 4 kW peak power
- Pickup for RE400 (HV: 560VDC / MV: 283VDC)
- IP54 protection class
- Internal strain relief
- 0.5 m pre assembled cable
- Clip and play extension wire connection
- No field disturbance between Pickup and Regulator

TECHNICAL DATA SHEET

E400 PICKUP

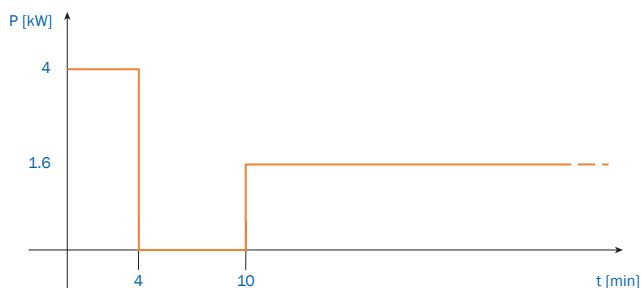
ELECTRICAL DATA

• Peak power	4 kW
• Nominal power	1,6 kW
• Duty cycle (HV/MV)	40%/20 %
• Track current	45 A
• Track frequency	140 kHz

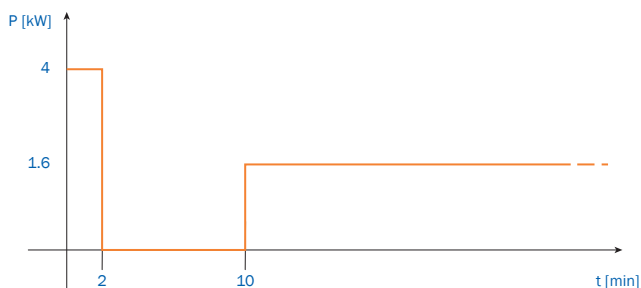
MECHANICAL DATA

• Dimensions	166.6 x 159.6 x 109.5 mm
• Mounting holes	133 x 85 mm
• Weight	5 kg
• Track conductor spacing	70 mm
• Nominal airgap	8 mm
• Vertical tolerance	±8 mm
• Horizontal tolerance	±8 mm
• Protection rating	IP54
• Ambient temperature	0 to +40 °C non-condensing
• Environment	Industrial
• Cooling	Convection

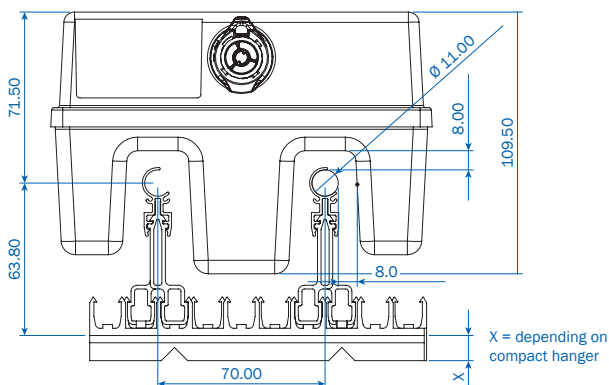
OUTPUT DIAGRAM HV



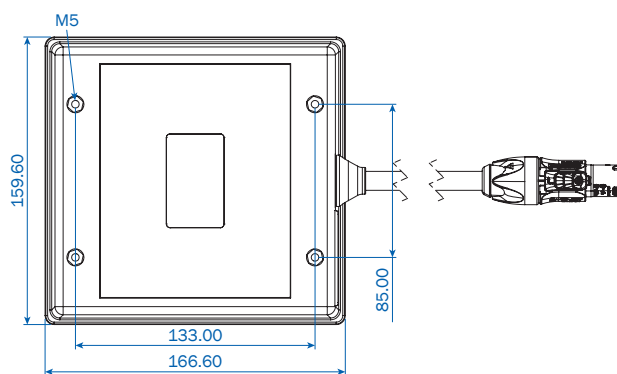
OUTPUT DIAGRAM MV



MOUNTING OVERVIEW



TOP VIEW



ORDERING INFORMATION

E400 Pickup HV/MV	10023621/10023601	Cable clip 2 m	0915155/00
Compact hanger (clipped)	1002746/00	Cable clip 6 m	0915116/00
Compact hanger (screwed)	0142076/00	Cable clip curved 3 m	10020864
Spacer for cable clip left	10020582	Feeding	10022179
Spacer for cable clip right	10024107		

