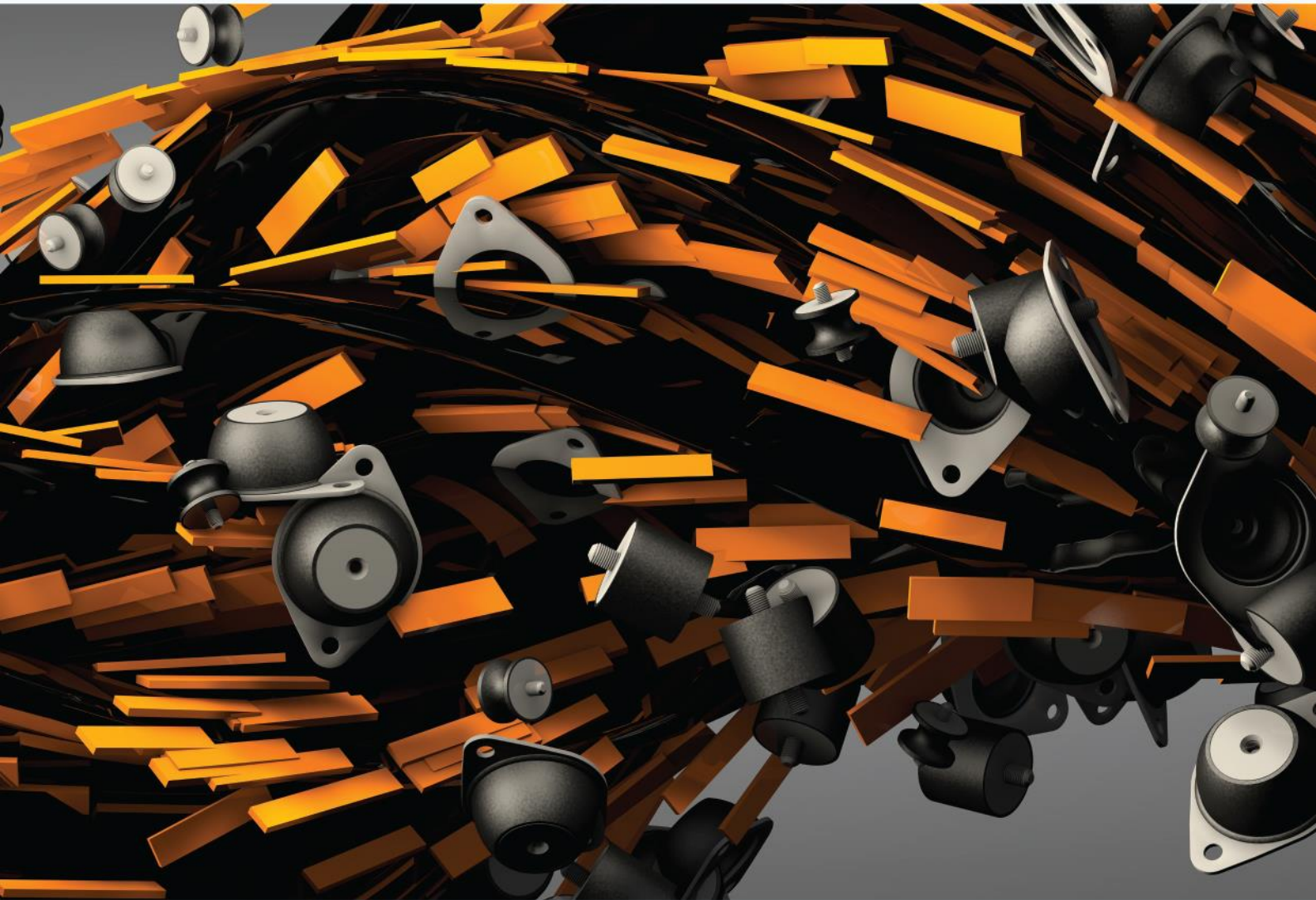




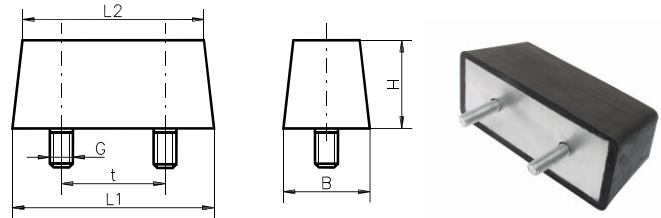
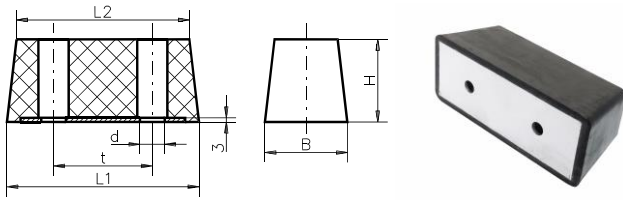
The world is in motion, so are we.
Antivibration solutions



High quality technical rubber products

RP-OG

RP-2G



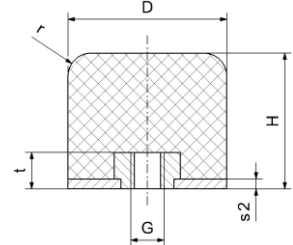
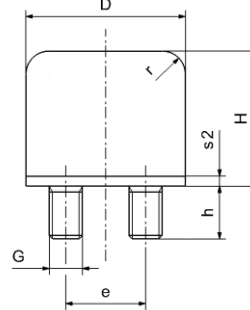
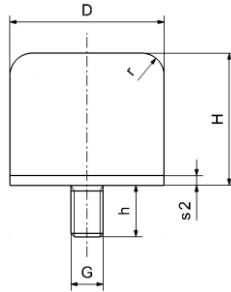
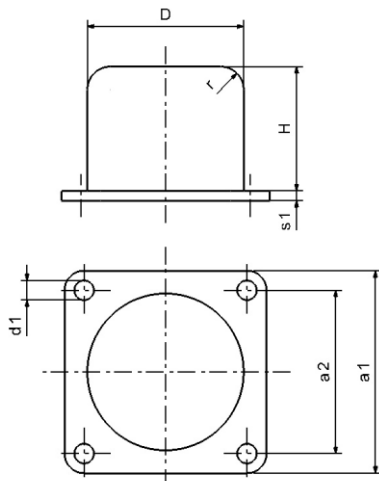
| Type | L1 | L2 | B | H | t | G | d |
|------|-----|-----|-----|-----|----|--------|----|
| 150 | 150 | 136 | 60 | 60 | 70 | M10x32 | 11 |
| 200 | 200 | 168 | 100 | 100 | 90 | M12x36 | 13 |

GP-QP

GP-1G

GP-2G

GP-1I



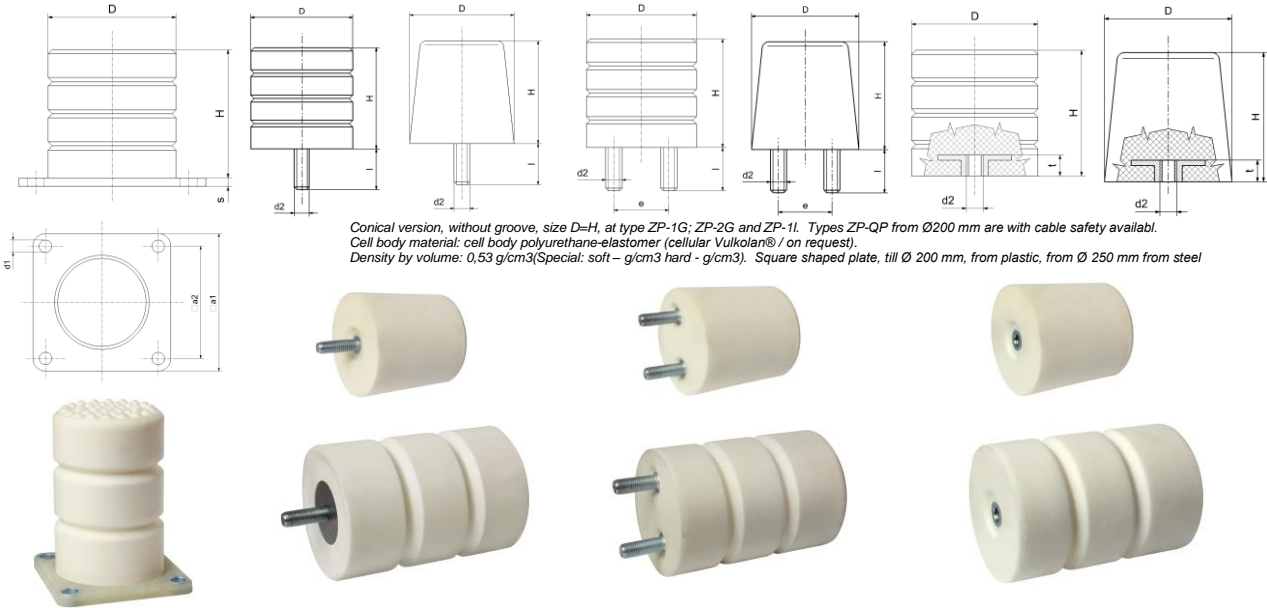
| Type | D mm | H mm | Measurement | | | | | | | | | | Load capacity | | |
|---------|---------|---------|-------------|----------|---------|---------|---------|---------|---------|----------|----------|---------|---------------|--------|--------|
| | | | a1 mm | a2 mm | d mm | G mm | e mm | h mm | r mm | s1 mm | s2 mm | t mm | f mm | F N | W J |
| 40x32 | 40 | 32 | 50 | 40 | 5,5 | M8 | - | 23 | 8 | 2 | 2 | 8 | 18 | 1.500 | 70 |
| 50x40 | 50 | 40 | 63 | 50 | 6,5 | M10 | - | 28 | 10 | 3 | 2 | 10 | 22 | 2.200 | 140 |
| 63x50 | 63 | 50 | 80 | 63 | 6,5 | M10 | - | 28 | 12,5 | 4 | 3 | 10 | 28 | 3.200 | 280 |
| 80x63 | 80 | 63 | 100 | 80 | 9 | M12 | - | 37 | 18 | 5 | 3 | 12 | 35 | 7.000 | 560 |
| 100x80 | 100 | 80 | 125 | 100 | 9 | M12 | 50 | 36 | 20 | 6 | 4 | 12 | 44 | 10.000 | 1120 |
| 125x100 | 125 | 100 | 160 | 125 | 11 | M16 | 63 | 36 | 25 | 6 | 4 | 16 | 55 | 15.000 | 2240 |
| 160x125 | 160 | 125 | 200 | 160 | 11 | M16 | 80 | 44 | 32 | 8 | 6 | 16 | 68 | 20.000 | 4400 |
| 200x160 | 200 | 160 | 250 | 200 | 13 | M20 | 100 | 44 | 40 | 8 | 6 | 18 | 38 | 25.000 | 8800 |

ZP-QP

ZP-1G

ZP-2G

ZP-1I



| Type | | | Size | | | | | | | | | Load ¹ | | |
|-----------------------------|-----|-----|------|-----|----|-----|-----|----|----|------|-----|-------------------|--------|--|
| Order id. | D | H | a1 | a2 | d1 | d2 | e | l | s | t | f | F | W | |
| | mm | mm | mm | mm | mm | mm | mm | mm | mm | mm | mm | kN | J | |
| 070x070 | 70 | 70 | - | - | - | M12 | - | 35 | - | - | 52 | 30 | 330 | |
| 080x040 | 80 | 40 | 110 | 80 | 13 | M12 | - | 35 | 10 | 12,5 | 30 | 40 | 200 | |
| 080x080 ² | 80 | 80 | 110 | 80 | 13 | M12 | - | 35 | 10 | 12,5 | 60 | 40 | 400 | |
| 080x120 | 80 | 120 | 100 | 80 | 13 | M12 | - | 35 | 10 | 12,5 | 90 | 40 | 600 | |
| 100x050 | 100 | 50 | 125 | 100 | 13 | M12 | - | 35 | 10 | 12,5 | 38 | 63 | 400 | |
| 100x100 | 100 | 100 | 125 | 100 | 13 | M12 | 50 | 35 | 10 | 12,5 | 75 | 63 | 800 | |
| 100x150 | 100 | 150 | 125 | 100 | 13 | M12 | 50 | 35 | 10 | 12,5 | 112 | 63 | 1200 | |
| 125x063 | 125 | 63 | 160 | 125 | 17 | M12 | - | 35 | 12 | 12,5 | 47 | 100 | 750 | |
| 125x125 ² | 125 | 125 | 160 | 125 | 17 | M12 | 63 | 35 | 12 | 12,5 | 94 | 100 | 1500 | |
| 125x190 | 125 | 190 | 160 | 125 | 17 | M12 | 63 | 35 | 12 | 12,5 | 142 | 100 | 3000 | |
| 160x080 | 160 | 80 | 200 | 160 | 17 | M12 | - | 35 | 12 | 14 | 60 | 160 | 1600 | |
| 160x160 ² | 160 | 160 | 200 | 160 | 17 | M12 | 80 | 35 | 12 | 14 | 120 | 160 | 3200 | |
| 160x240 | 160 | 240 | 200 | 160 | 17 | M12 | 80 | 35 | 12 | 14 | 180 | 160 | 4800 | |
| 200x100 | 200 | 100 | 250 | 200 | 21 | M12 | - | 35 | 14 | 14 | 75 | 250 | 3150 | |
| 200x200 ² | 200 | 200 | 250 | 200 | 21 | M12 | 100 | 35 | 14 | 14 | 150 | 250 | 6300 | |
| 200x300 | 200 | 300 | 250 | 200 | 21 | M12 | 100 | 35 | 14 | 14 | 225 | 250 | 9450 | |
| 250x125 | 250 | 125 | 315 | 250 | 21 | M24 | - | 80 | 15 | 25 | 94 | 400 | 6000 | |
| 250x250 | 250 | 250 | 315 | 250 | 21 | M24 | 125 | 80 | 15 | 25 | 188 | 400 | 12000 | |
| 250x375 | 250 | 375 | 315 | 250 | 21 | M24 | 125 | 80 | 15 | 25 | 280 | 400 | 18000 | |
| 315x160 | 315 | 160 | 400 | 315 | 21 | M24 | - | 80 | 15 | 25 | 120 | 630 | 12000 | |
| 315x315 | 315 | 315 | 400 | 315 | 21 | M24 | 160 | 80 | 15 | 25 | 236 | 630 | 24000 | |
| 315x475 | 315 | 475 | 400 | 315 | 21 | M24 | 160 | 80 | 15 | 25 | 356 | 630 | 36000 | |
| 400x200 | 400 | 200 | 500 | 400 | 25 | M30 | - | 80 | 20 | 30 | 150 | 1000 | 24000 | |
| 400x400 | 400 | 400 | 500 | 400 | 25 | M30 | 200 | 80 | 20 | 30 | 300 | 1000 | 48000 | |
| 400x600 | 400 | 600 | 500 | 400 | 25 | M30 | 200 | 80 | 20 | 30 | 450 | 1000 | 72000 | |
| 500x250 | 500 | 250 | 600 | 500 | 25 | - | - | - | 20 | - | 188 | 1600 | 48000 | |
| 500x500 | 500 | 500 | 600 | 500 | 25 | - | - | - | 20 | - | 375 | 1600 | 96000 | |
| 500x750 | 500 | 750 | 600 | 500 | 25 | - | - | - | 20 | - | 563 | 1600 | 144000 | |
| 600x300 | 600 | 300 | 730 | 600 | 25 | - | - | - | 20 | - | 225 | 2000 | 63000 | |
| 600x600 | 600 | 600 | 730 | 600 | 25 | - | - | - | 20 | - | 450 | 2000 | 125000 | |
| 600x900 | 600 | 900 | 730 | 600 | 25 | - | - | - | 20 | - | 675 | 2000 | 188000 | |

1) Values for < 1 m/s and spring deflection f=0,75xH / load diagram on request.
 2) Types ZP-1G, ZP-2G and ZP-1I the shape is Conical.

1J = 1Nm = 0,102 mkp